



GENERAL SPECIFICATIONS

Features:

- Tub Mount, Floor or Wall Mount Faucet Required
- 59" (1500mm) x 29.5" (750mm) x 23.6" (600mm)

Material:

- High grade acrylic with fiberglass re-inforcement.

Code Standards:

- CSA B45.5-11/IAPMO Z124

TECHNICAL INFORMATION

- INSTALLED SIZE:	59 x 29.5 x 23.6 in. (1500 x 750 x 600mm)
- FLOOR FOOT PRINT	51.1 x 26.6 in. (1300 x 625mm)
- DRAIN LOCATION	Centered
- WEIGHT:	84.3lbs (38.3KG)
- WEIGHT W/WATER	546lbs (248.3KG)
- GALLONS TO OVERFLOW:	56.8 Gallons (210L)
- BATHING WELL AT SUMP:	38.6 x 20.4in. (980 x 440mm)
- BATHING WELL AT RIM:	53.1 x 23.6 in. (1350 x 600mm)
- WATER DEPTH TO OVERFLOW:	14.5 in. (370mm)
- FLOOR LOADING (Project Area)	57.9lbs per sq/ft (283.1 kg per sq/m)

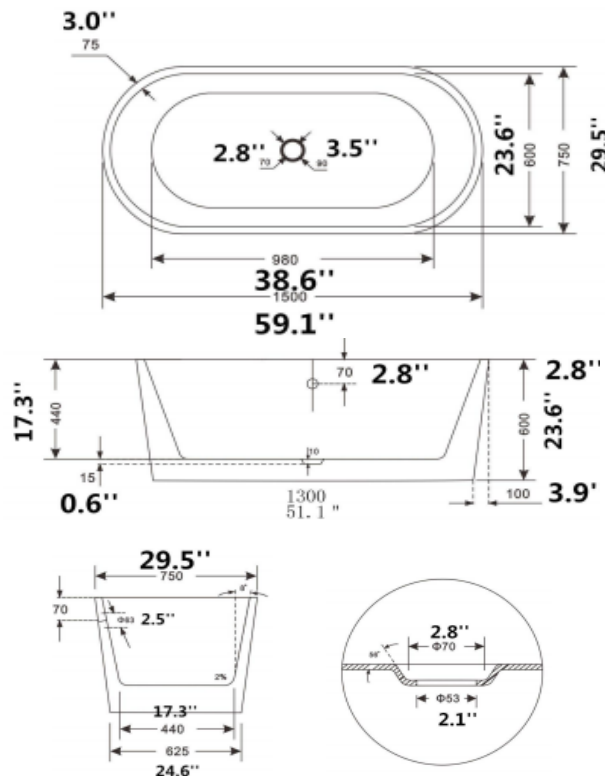
DIMENSIONS OF FIXTURES ARE NOMINAL AND MAY VARY WITHIN THE RANGE OF TOLERANCES ESTABLISHED BY ANSI STANDARDS Z124.1.2-2005

NOTES:

- Refer to the installation instructions supplied with this product for additional information.
- Provide suitable reinforcement for all supports.

IMPORTANT:

- These measurements are subject to change. No responsibility is assumed for use of superseded or voided leaflet.



ELEVATION SOURCING, LLC
15565 Wright Brothers Drive
Addison, Texas 75001
OFF: 214/572-2000